

Project Name: _____
 Location: _____
 Engineer: _____
 Submitted to: _____
 Submitted by: _____
 Reference: _____

Approval: _____
 Date: _____
 Construction: _____
 Unit #: _____
 Drawing #: _____

Performance

Indoor Unit Model No: FHQ24PVJU
Outdoor Unit Model No: RZQ24PVJU9
Rated Cooling Capacity (Btu/hr): 24000
Sensible Capacity (Btu/hr): 17100
Max/Min Cooling Capacity (Btu/hr / kW): databook/databook
Cooling Input Power (kW): 2.19
SEER: 18.1
Rated Heating Capacity (Btu/hr): 27000
Max/Min Heating Capacity (Btu/hr / kW): databook/databook
Heating Input Power (kW): 2.48
Heating COP (Btu/hr / Btu/hr): 3.38
HSPF: 10

Indoor Unit Type: Ceiling Suspended
Condensing Unit Type: SkyAir Heat Pump
Rated Cooling Conditions
 Indoor: 80°F DB/67°F WB
 Outdoor: 95°F DB/75°F WB
Rated Heating Conditions
 Indoor: 70°F DB/60°F WB
 Outdoor: 47°F DB/43°F WB
Rated Piping Length(ft) 25
Rated Height Separation(ft) 0

Indoor Unit Details

Power Supply (V/Hz/Ph): 208-230/60/1ph
Power Supply Connections: L1, L2, Ground
Min Circuit Amps MCA (A): 1.3
Max Overcurrent Amps MFA (A): 15
Dimensions (HxWxD): 7-11/16x62-5/8x26-3/4
Panel (HxWxD): N/A
Net Weight (lbs): 90
Weight with Panel (lbs):

Airflow Rate (CFM wet coil) 790//670
Moisture Removal (pt/h):
Gas Pipe Connection (inch): 5/8
Liquid Pipe Connection (inch): 3/8
Condensate Connection (inch): 1
Sound Pressure Level (dBA): 45
Sound Power Level (dBA):
Static Pressure Rated/Max (inWg) 0 / 0/0

Condensing Unit Details

Power Supply (V/Hz/Ph): 208-230/60/1ph
Power Supply Connections: L1, L2, Ground
Min. Circuit Amps MCA (A): 16.5
Max. Overcurrent Amps MFA (A): 20
Max. Starting Current MSC(A):
Rated Load Amps RLA (A): 10.3
Dimensions (HxWxD): 30-5/16x35-7/16x12-5/8
Net Weight (lbs): 150

Compressor Type: Inverter
Capacity Control Range (%): 30 - 100
Airflow Rate (CFM): 1835
Gas Pipe Connection (inch): 5/8
Liquid Pipe Connection (inch): 3/8
Sound Pressure Level (dBA): 49
Sound Power Level (dBA):

System Details

Refrigerant Type: R-410A
Holding Refrigerant Charge (lbs): 5.1
Additional Charge (oz/ft): 0.036lbs/ft
Pre-charge Piping (Length ft): -
Max. Pipe Length (Total ft): 164 ft

Max. Pipe Length (Vertical ft): 98 ft
Cooling Operation Range (°F): 23 - 115
Cooling Range w/Baffle (°F): 0 - 115
Heating Operation Range (°F): 0 - 77
Heating Range w/Baffle (°F): 0 - 77

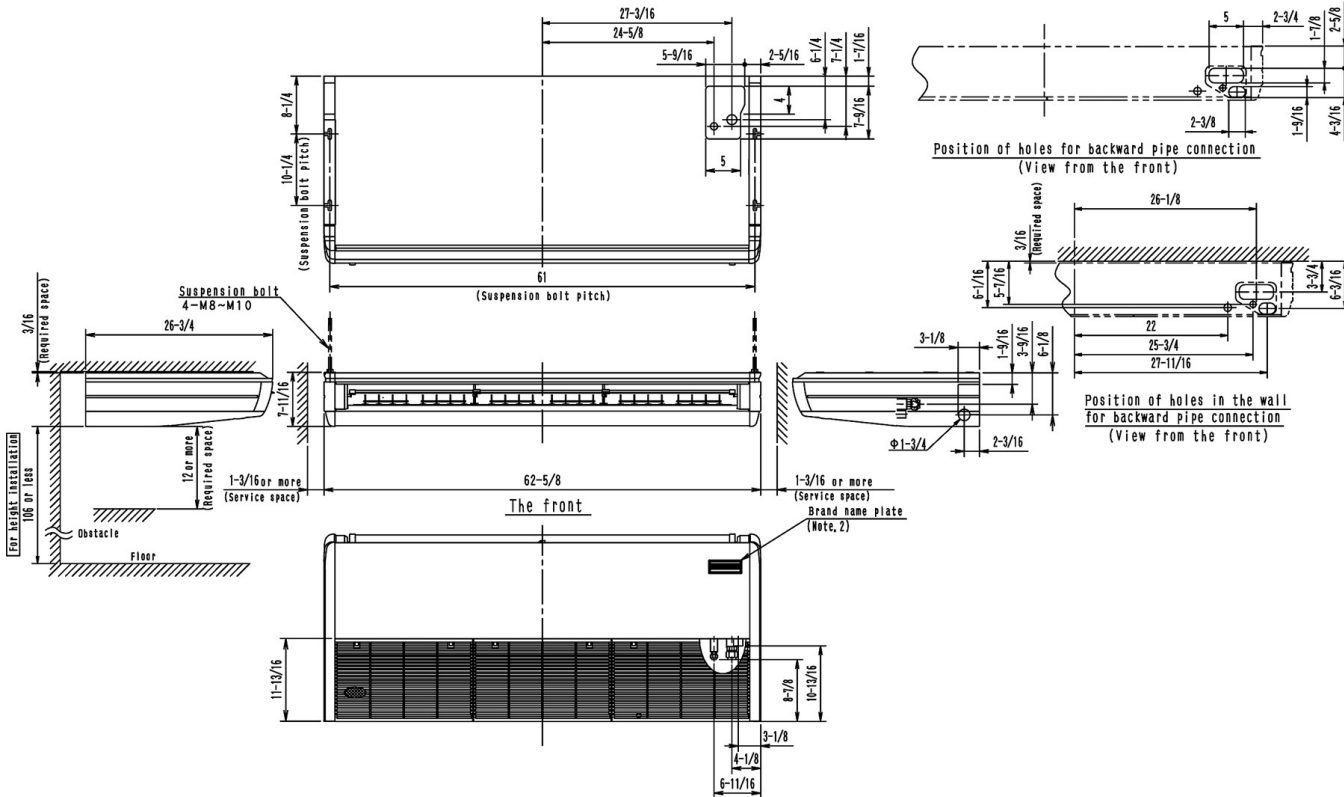
Project Name: _____
 Location: _____
 Engineer: _____
 Submitted to: _____
 Submitted by: _____
 Reference: _____

Approval: _____
 Date: _____
 Construction: _____
 Unit #: _____
 Drawing #: _____

Dimensional Drawing - Indoor Unit

FHQ24PVJU

FHQ18/24/30/36/42MVJU
 Unit (in.)

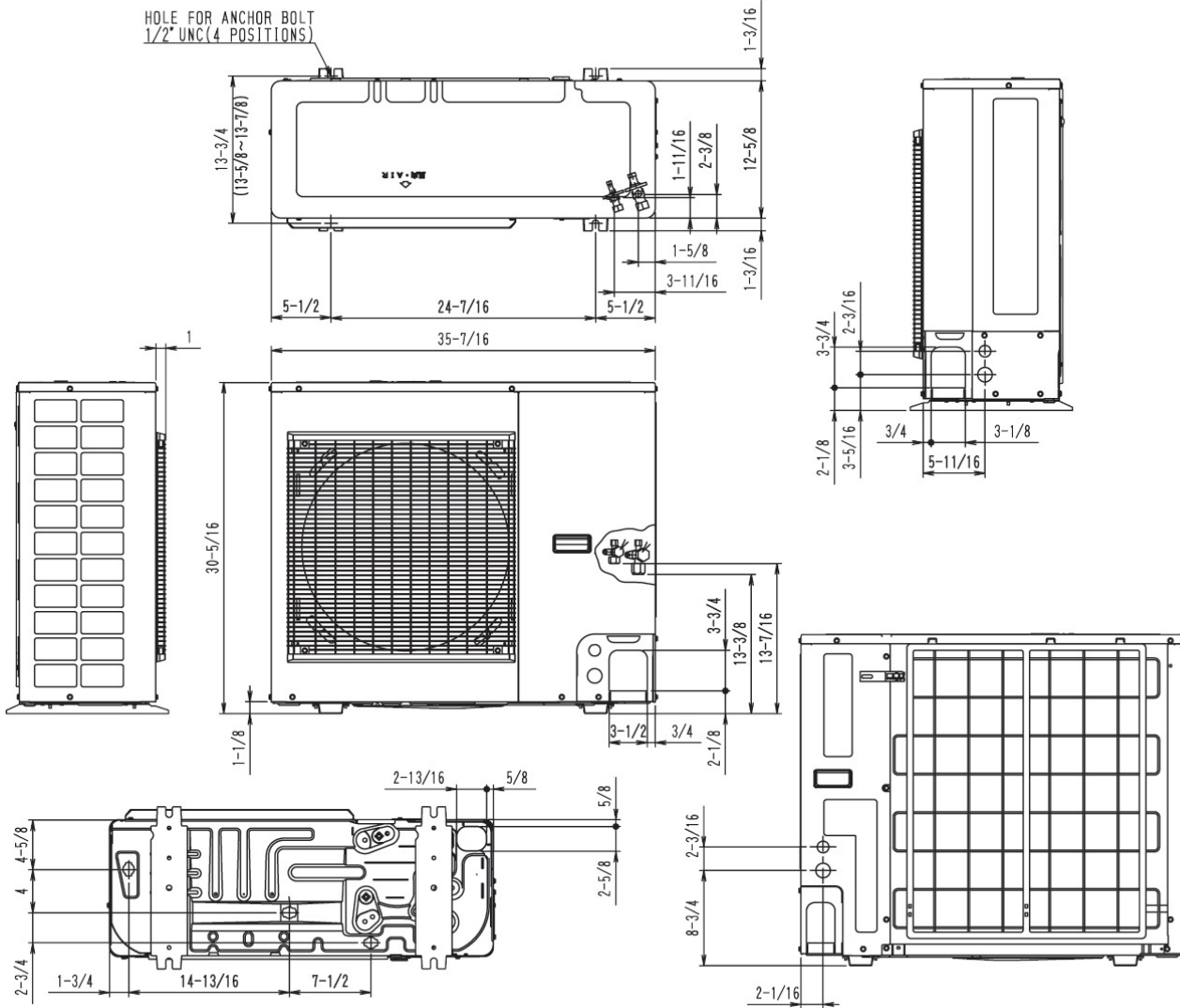


Project Name: _____
 Location: _____
 Engineer: _____
 Submitted to: _____
 Submitted by: _____
 Reference: _____

Approval: _____
 Date: _____
 Construction: _____
 Unit #: _____
 Drawing #: _____

Dimensional Drawing - Condensing Unit

RZQ24PVJU9



Project Name: _____
 Location: _____
 Engineer: _____
 Submitted to: _____
 Submitted by: _____
 Reference: _____

Approval: _____
 Date: _____
 Construction: _____
 Unit #: _____
 Drawing #: _____

FHQ24PVJU



RZQ24PVJU9



FHQ24PVJU

Std U.S. Warranty: 7yrs Compressor, 5yrs Parts

RZQ24PVJU9

Std U.S. Warranty: 7yrs Compressor, 5yrs Parts